

Campi Elettromagnetici

**Corso di Laurea in Ingegneria Informatica,
Biomedica e delle Telecomunicazioni**

a.a. 2020-2021 - Laurea "Triennale" – Secondo semestre - Secondo anno

Università degli Studi di Napoli "Parthenope"

Stefano Perna

Color legend

New formulas, important considerations,
important formulas, important concepts

Very important for the discussion

Memo

Mathematical tools to be exploited

Mathematics

Antenna Parameters

Parameters of the Tx Antenna

Parameters of the Rx Antenna

Parameters of the Tx Antenna

- Effective length
 - Radiation pattern
 - Radiation pattern lobes
 - Beamwidth
- Directivity
- Gain
- Radiation Resistance
- Equivalent circuit of the tx antenna
- Input Impedance and Input Resistance



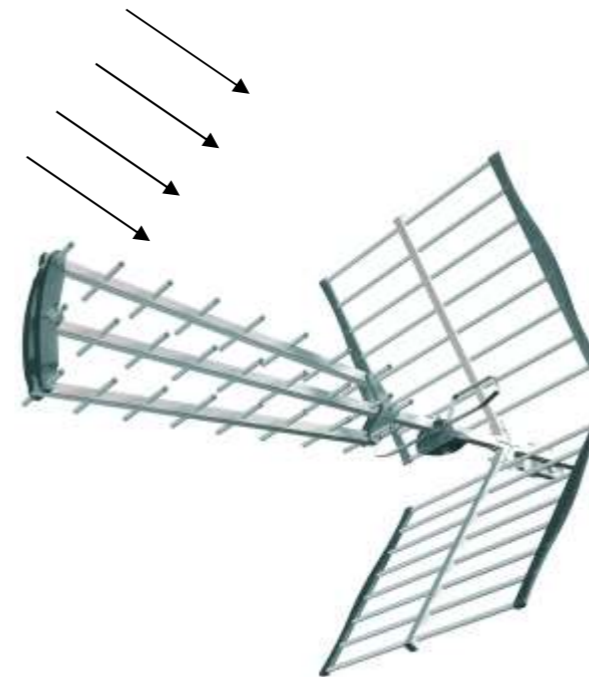
Antenna Parameters

Parameters of the Tx Antenna

Parameters of the Rx Antenna

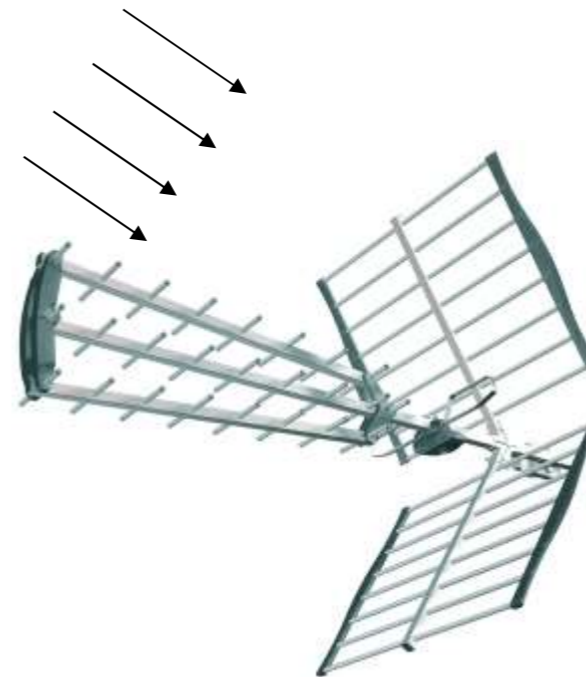
Parameters of the Rx Antenna

- Rx effective length
- Equivalent circuit of the rx antenna
- Effective Area



Parameters of the Rx Antenna

- Rx effective length
- Equivalent circuit of the rx antenna
- Effective Area



Rx effective length

$$|V_0| = |\mathbf{E}_i \cdot \mathbf{l}|$$

Where

\mathbf{E}_i is the incident, locally plane, field

V_0 is the voltage induced at the antenna terminals, which are assumed open-circuited

$\mathbf{l}(\vartheta, \varphi) = l_\vartheta(\vartheta, \varphi)\hat{i}_\vartheta + l_\varphi(\vartheta, \varphi)\hat{i}_\varphi$ can be referred to as receiving effective length of the antenna (and not only transmitting effective length)

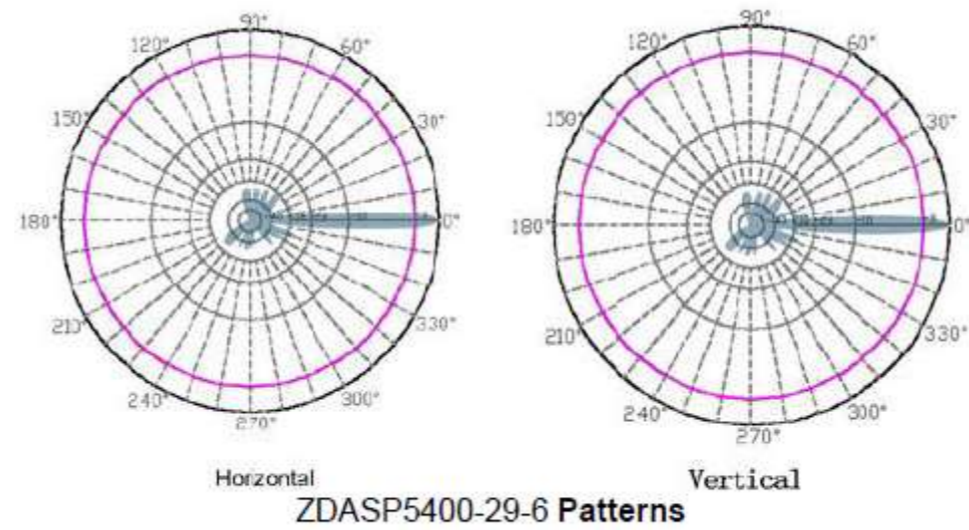
Note that this means that the behavior of an antenna when transmitting and when receiving are related.

Rx effective length

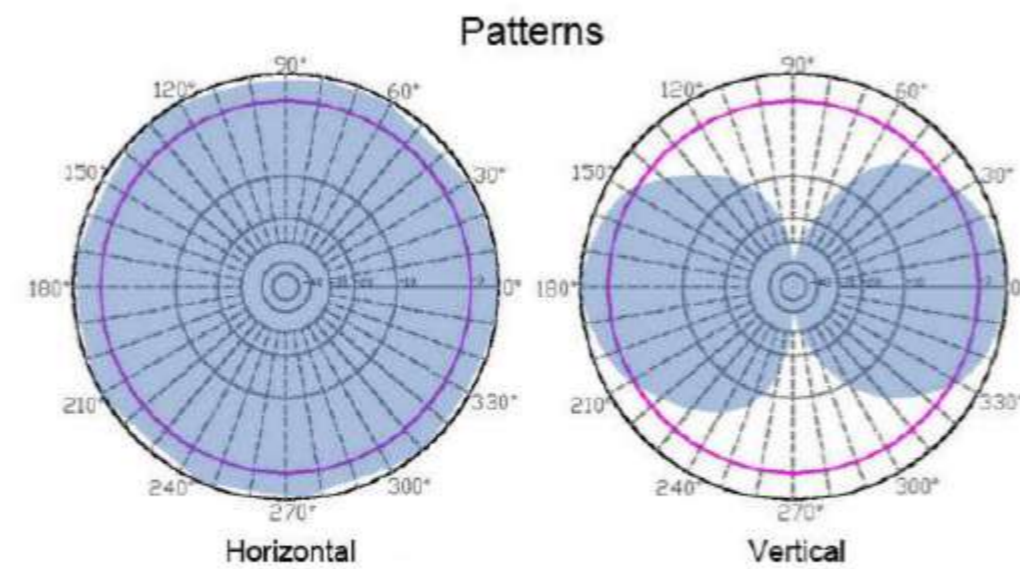
three examples from the real life



Rx effective length

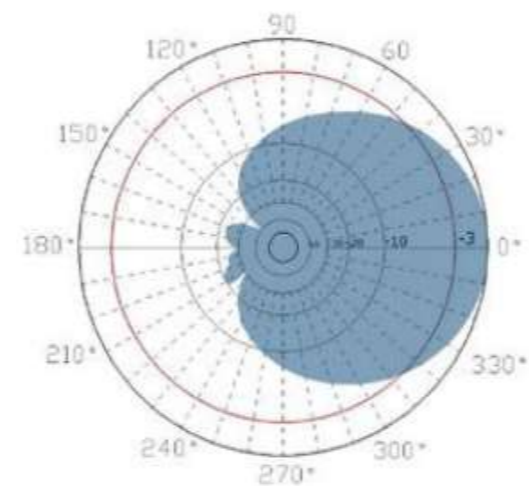


Rx effective length

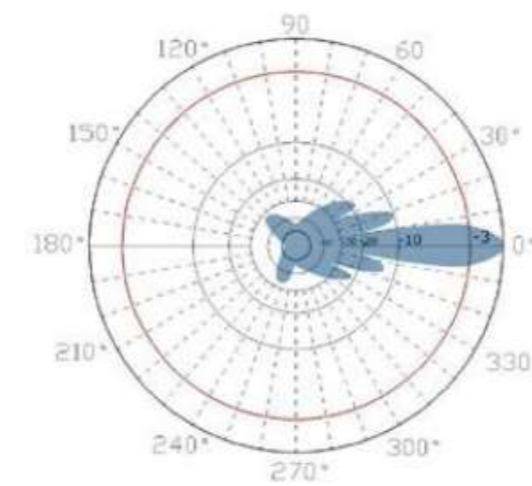


ZDAEW1900-3 Patterns

Rx effective length



Horizontal

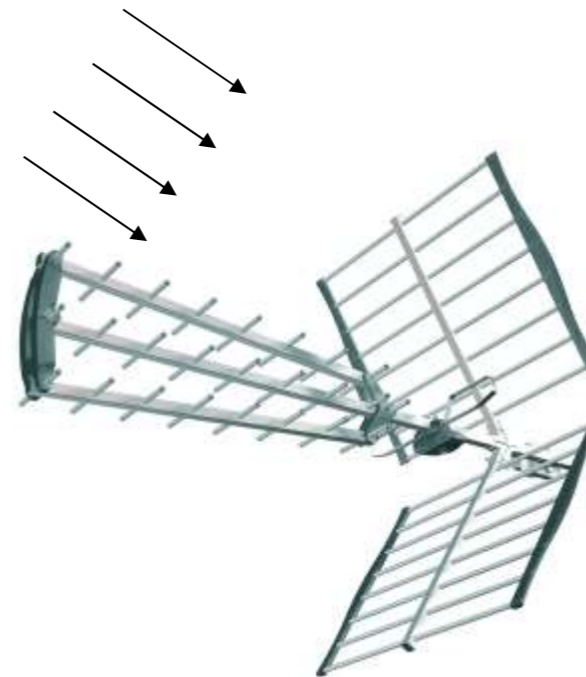


Vertical

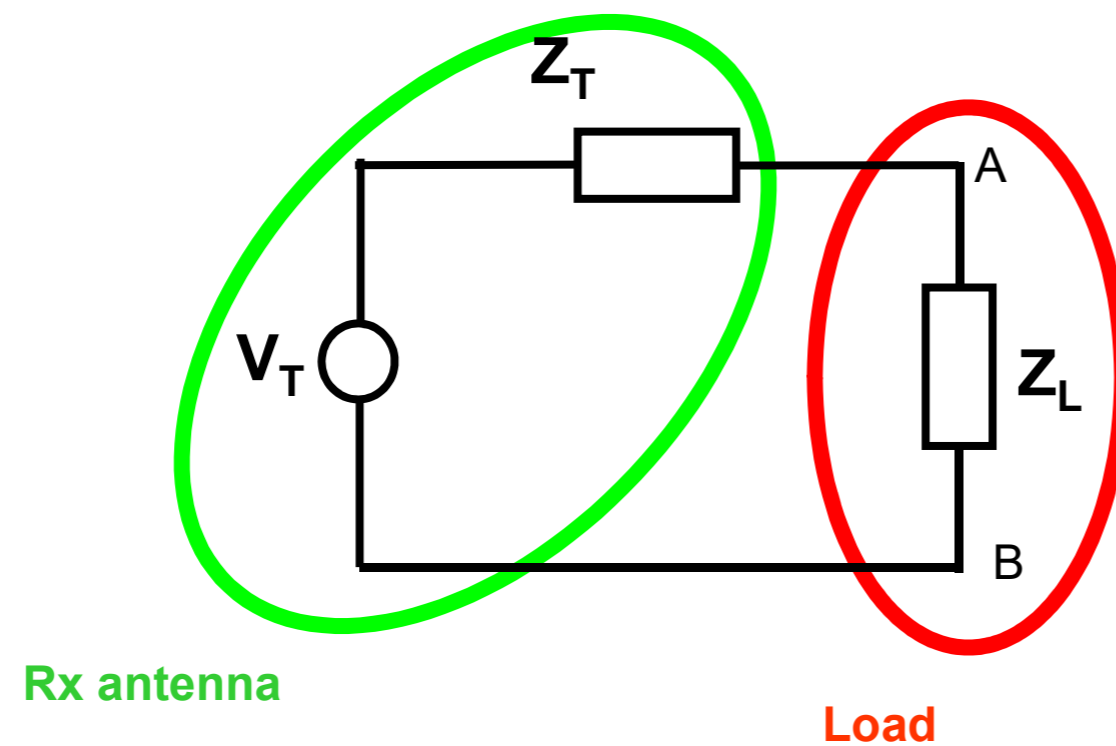
ZDADJ800-13-90 Patterns

Parameters of the Rx Antenna

- Rx effective length
- Equivalent circuit of the rx antenna
- Effective Area



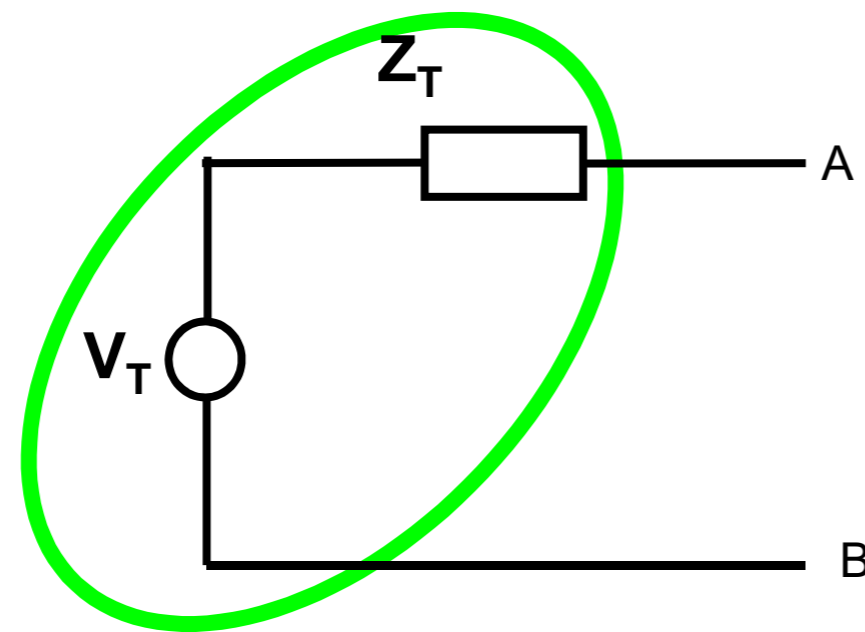
Equivalent circuit of the Rx antenna



$$Z_L = R_L + jX_L$$

The incident electric field sets up currents on the antenna. Such currents may be represented by a Thevenin-equivalent generator, which delivers power to any connected receiving load impedance.

Equivalent circuit of the Rx antenna



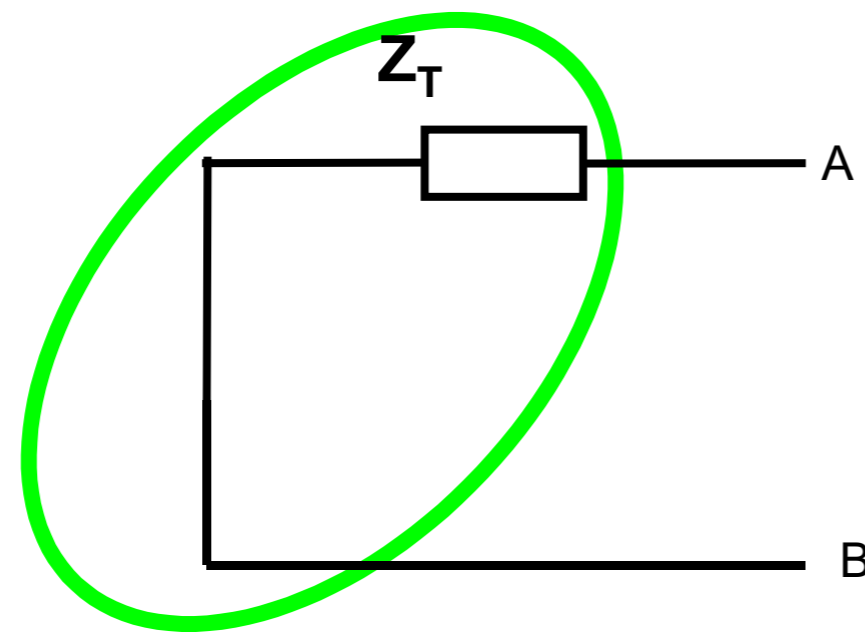
Rx antenna

$$|V_T| = |V_0| = |\mathbf{E}_i \cdot \mathbf{l}|$$

$$Z_L = R_L + jX_L$$

The incident electric field sets up currents on the antenna. Such currents may be represented by a Thevenin-equivalent generator, which delivers power to any connected receiving load impedance.

Equivalent circuit of the Rx antenna



Rx antenna

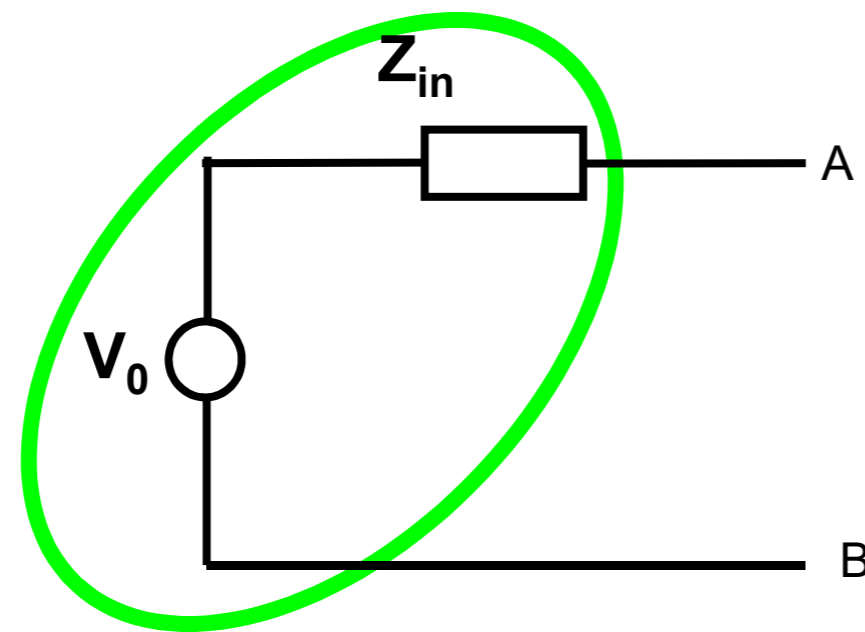
$$|V_T| = |V_0| = |\mathbf{E}_i \cdot \mathbf{l}|$$

$$Z_T = Z_{in} = R_{in} + jX_{in}$$

$$Z_L = R_L + jX_L$$

The incident electric field sets up currents on the antenna. Such currents may be represented by a Thevenin-equivalent generator, which delivers power to any connected receiving load impedance.

Equivalent circuit of the Rx antenna



Rx antenna

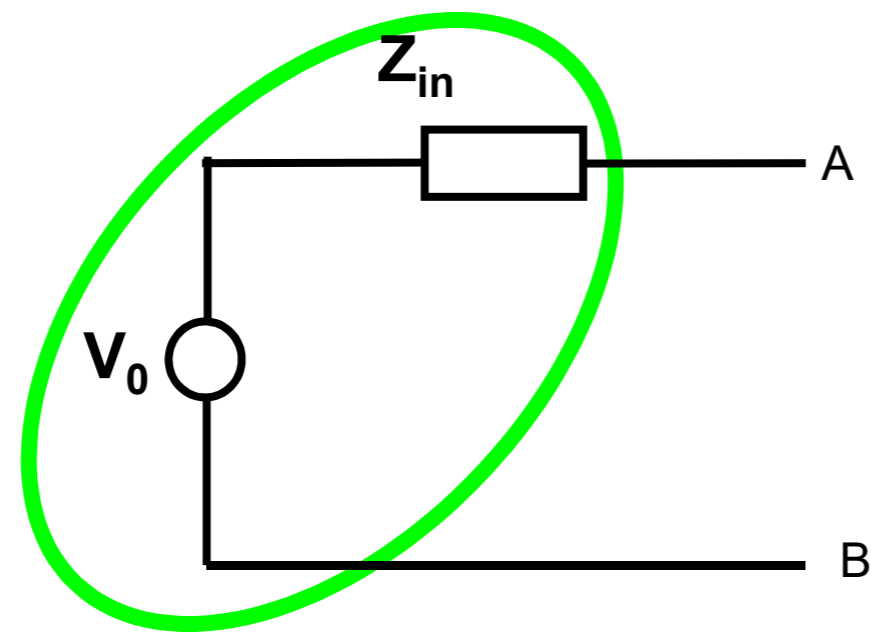
$$|V_T| = |V_0| = |\mathbf{E}_i \cdot \mathbf{l}|$$

$$Z_T = Z_{in} = R_{in} + jX_{in}$$

$$Z_L = R_L + jX_L$$

The incident electric field sets up currents on the antenna. Such currents may be represented by a Thevenin-equivalent generator, which delivers power to any connected receiving load impedance.

Equivalent circuit of the Rx antenna



Rx antenna

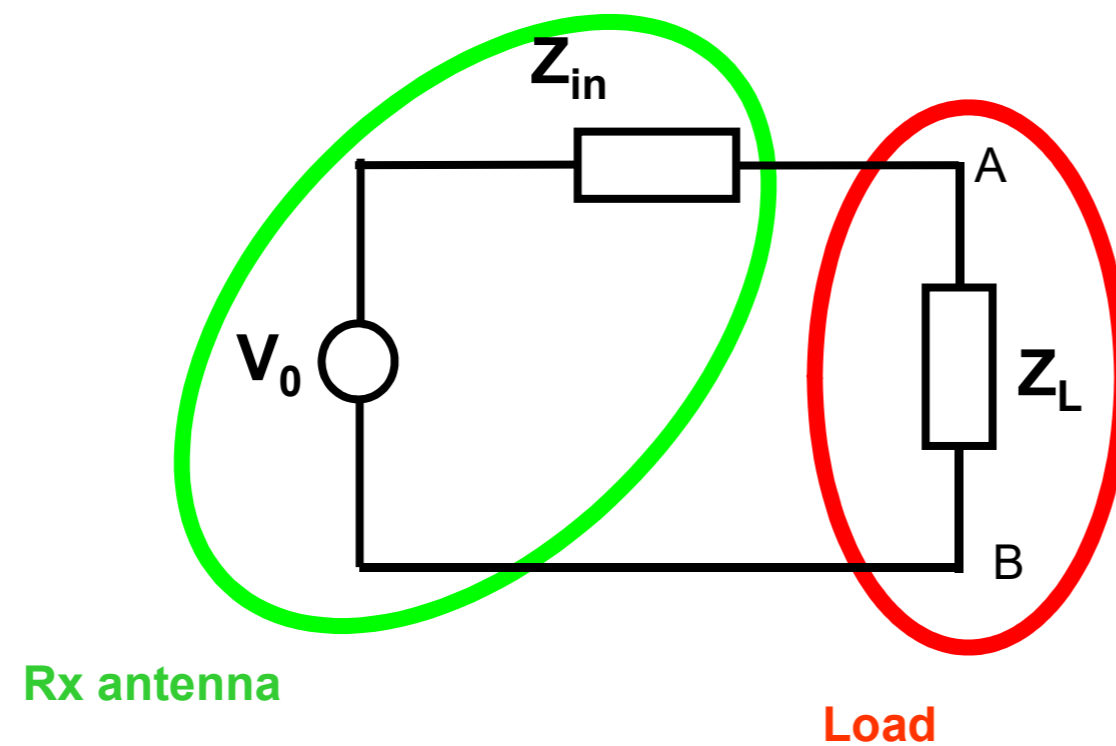
$$|V_0| = |\mathbf{E}_i \cdot \mathbf{l}|$$

$$Z_{in} = R_{in} + jX_{in}$$

$$Z_L = R_L + jX_L$$

The incident electric field sets up currents on the antenna. Such currents may be represented by a Thevenin-equivalent generator, which delivers power to any connected receiving load impedance.

Equivalent circuit of the Rx antenna



$$|V_0| = |\mathbf{E}_i \cdot \mathbf{l}|$$

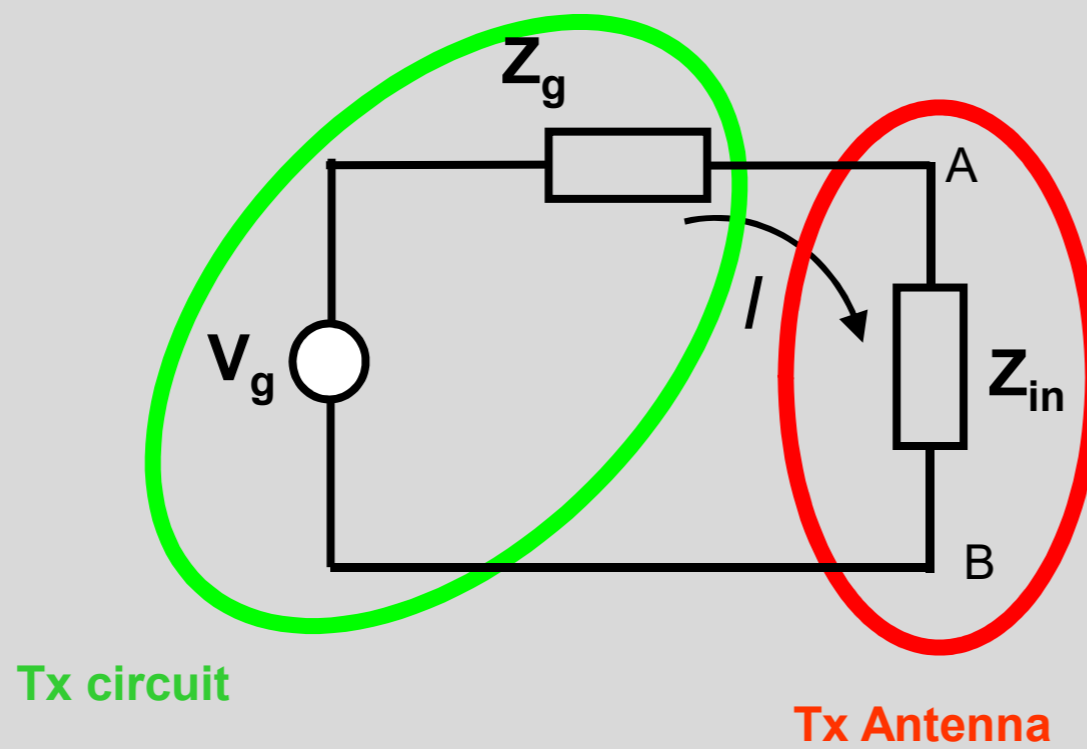
$$Z_{in} = R_{in} + jX_{in}$$

$$Z_L = R_L + jX_L$$

The incident electric field sets up currents on the antenna. Such currents may be represented by a Thevenin-equivalent generator, which delivers power to any connected receiving load impedance.

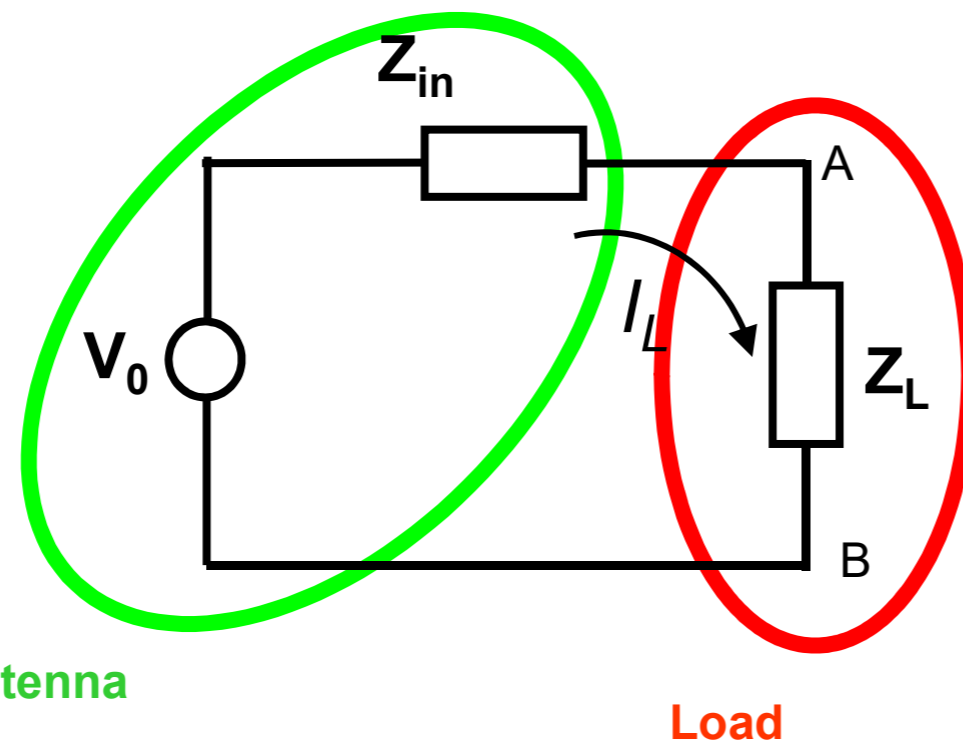
....MEMO..

Equivalent circuit of the Tx antenna



$$Z_{in} = R_{in} + jX_{in}$$
$$P_{in} = \frac{1}{2} R_{in} |I|^2$$

Equivalent circuit of the Rx antenna



$$|V_0| = |\mathbf{E}_i \cdot \mathbf{l}|$$

$$Z_{in} = R_{in} + jX_{in}$$

$$Z_L = R_L + jX_L$$

$$V_0 = (Z_{in} + Z_L)I_L \Rightarrow |I_L|^2 = \frac{|V_0|^2}{|Z_{in} + Z_L|^2}$$

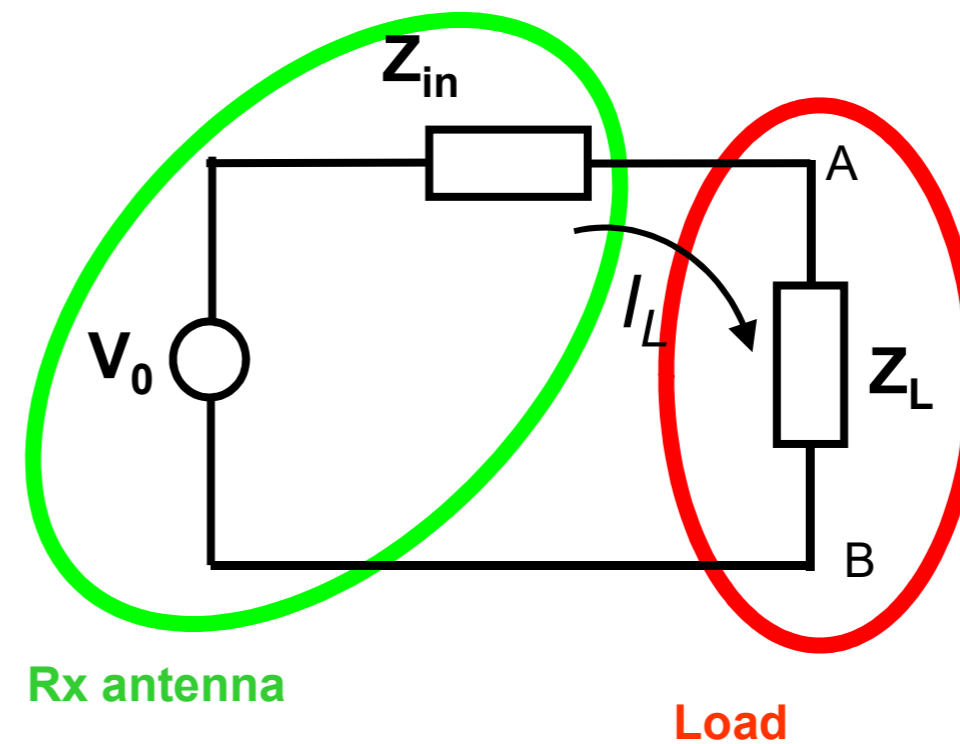
$$P_L = \frac{1}{2} R_L |I_L|^2 = \frac{1}{2} \frac{R_L}{|Z_{in} + Z_L|^2} |V_0|^2 = \frac{1}{2} \frac{R_L}{|Z_{in} + Z_L|^2} |\mathbf{E}_i \cdot \mathbf{l}|^2$$

Equivalent circuit of the Rx antenna

$$|V_0| = |\mathbf{E}_i \cdot \mathbf{l}|$$

$$Z_{in} = R_{in} + jX_{in}$$

$$Z_L = R_L + jX_L$$

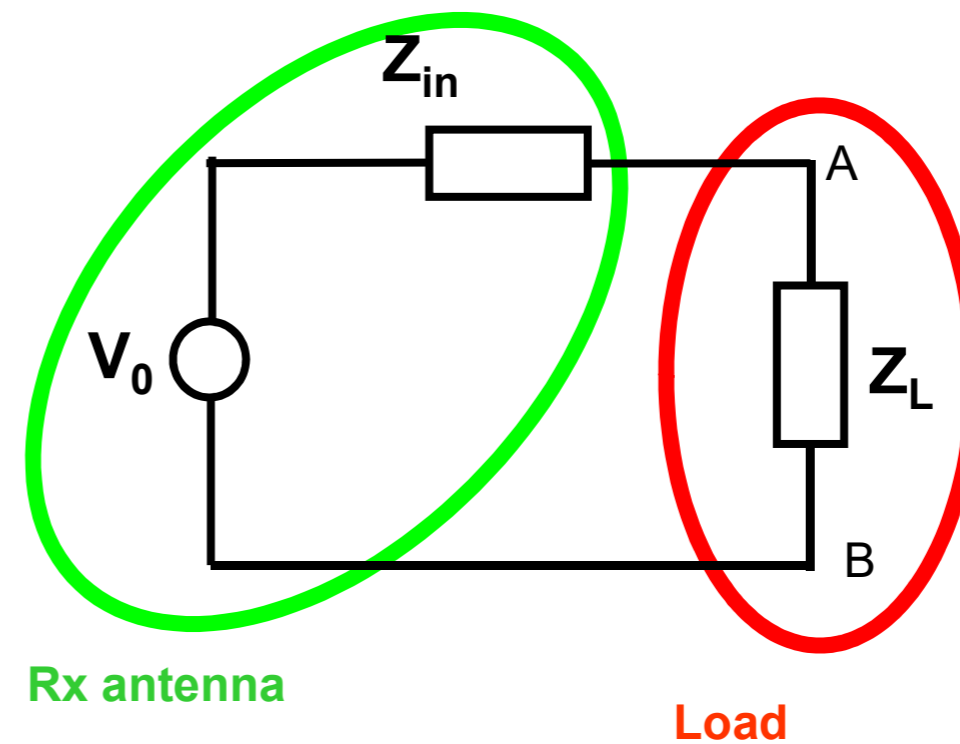


$$P_L = \frac{1}{2} \frac{R_L}{|Z_{in} + Z_L|^2} |\mathbf{E}_i \cdot \mathbf{l}|^2$$

Equivalent circuit of the Rx antenna

1) Polarization matching

$$|\mathbf{E}_i \cdot \mathbf{l}| = |\mathbf{E}_i| |\mathbf{l}|$$



$$P_L = \frac{1}{2} \frac{R_L}{|Z_{in} + Z_L|^2} |\mathbf{E}_i \cdot \mathbf{l}|^2$$

Equivalent circuit of the Rx antenna

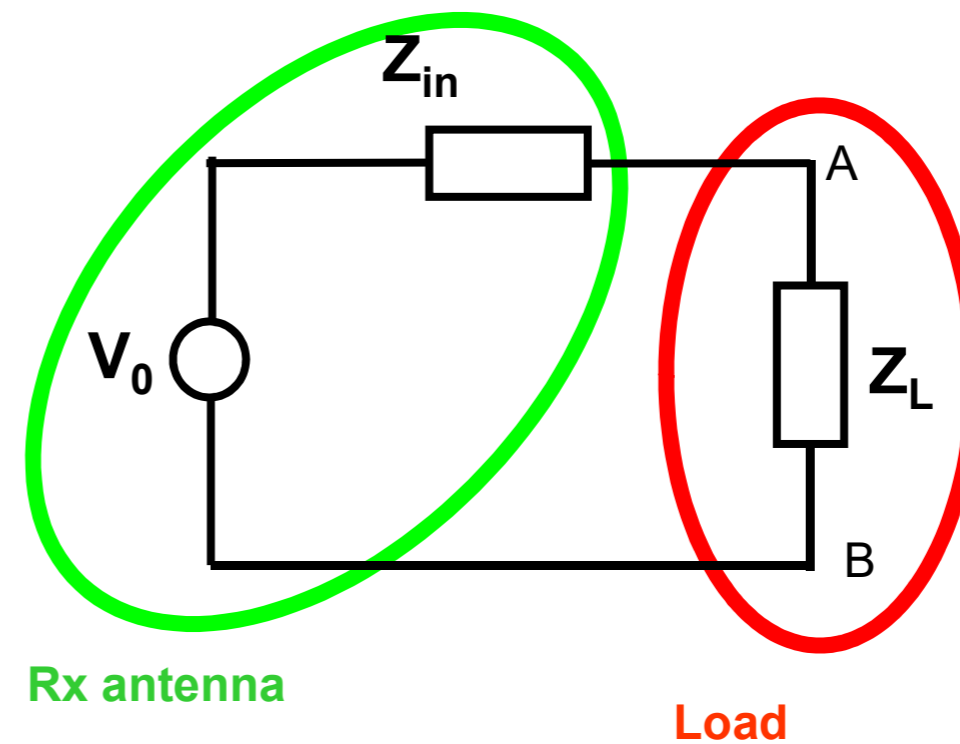
1) Polarization matching

$$|\mathbf{E}_i \cdot \mathbf{l}| = |\mathbf{E}_i| |\mathbf{l}|$$

2) Power matching

$$Z_L = Z_{in}^* \Rightarrow \begin{cases} Z_{in} = R_{in} + jX_{in} \\ Z_L = R_{in} - jX_{in} \end{cases}$$

$$\Rightarrow \frac{R_L}{|Z_{in} + Z_L|^2} = \frac{R_{in}}{(2R_{in})^2} = \frac{1}{4R_{in}}$$



$$P_L = \frac{1}{2} \frac{R_L}{|Z_{in} + Z_L|^2} |\mathbf{E}_i \cdot \mathbf{l}|^2$$

Equivalent circuit of the Rx antenna

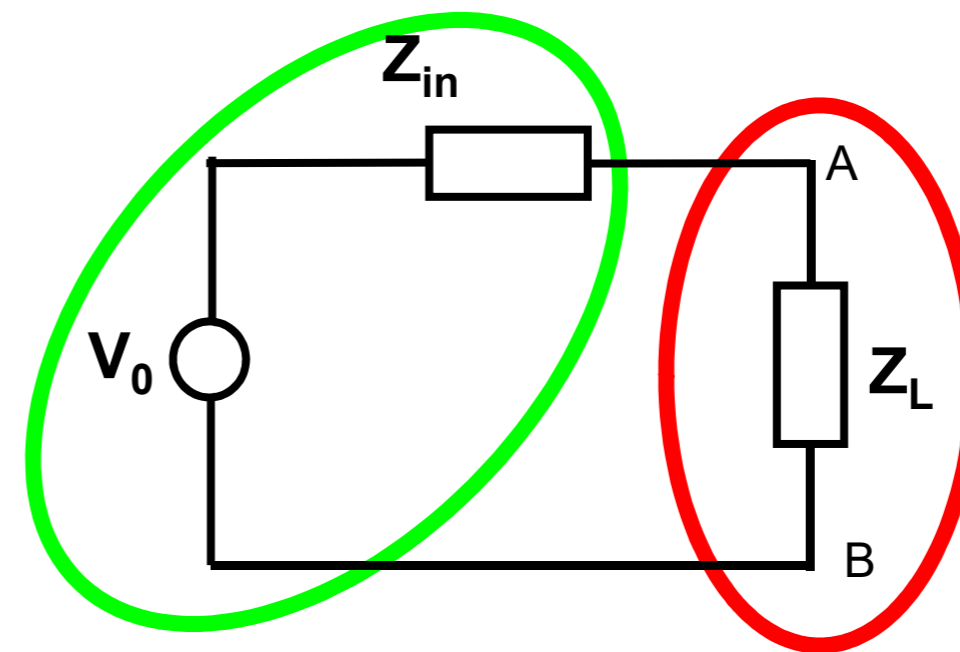
1) Polarization matching

$$|\mathbf{E}_i \cdot \mathbf{l}| = |\mathbf{E}_i| |\mathbf{l}|$$

2) Power matching

$$Z_L = Z_{in}^* \Rightarrow \begin{cases} Z_{in} = R_{in} + jX_{in} \\ Z_L = R_{in} - jX_{in} \end{cases}$$

$$\Rightarrow \frac{R_L}{|Z_{in} + Z_L|^2} = \frac{R_{in}}{(2R_{in})^2} = \frac{1}{4R_{in}}$$



Rx antenna

Load

$$P_L = \frac{1}{2} \frac{R_L}{|Z_{in} + Z_L|^2} |\mathbf{E}_i \cdot \mathbf{l}|^2$$

$$\Rightarrow P_{Lmax} = \frac{1}{2} \frac{1}{4R_{in}} |\mathbf{E}_i|^2 |\mathbf{l}|^2 = \frac{\zeta}{\zeta} \frac{1}{2} \frac{1}{4R_{in}} |\mathbf{E}_i|^2 |\mathbf{l}|^2$$

Equivalent circuit of the Rx antenna

1) Polarization matching

$$|\mathbf{E}_i \cdot \mathbf{l}| = |\mathbf{E}_i| |\mathbf{l}|$$

2) Power matching

$$Z_L = Z_{in}^* \Rightarrow \begin{cases} Z_{in} = R_{in} + jX_{in} \\ Z_L = R_{in} - jX_{in} \end{cases}$$

$$\Rightarrow \frac{R_L}{|Z_{in} + Z_L|^2} = \frac{R_{in}}{(2R_{in})^2} = \frac{1}{4R_{in}}$$

$$P_{Lmax} = \frac{1}{2} \frac{|\mathbf{E}_i|^2}{\zeta} \left[\frac{\zeta |\mathbf{l}(\vartheta, \varphi)|^2}{4R_{in}} \right]$$

Effective Area
 $A_{eff}(\vartheta, \varphi)$

$$P_L = \frac{1}{2} \frac{R_L}{|Z_{in} + Z_L|^2} |\mathbf{E}_i \cdot \mathbf{l}|^2$$

$$\Rightarrow P_{Lmax} = \frac{1}{2} \frac{1}{4R_{in}} |\mathbf{E}_i|^2 |\mathbf{l}|^2 = \frac{\zeta}{\zeta} \frac{1}{2} \frac{1}{4R_{in}} |\mathbf{E}_i|^2 |\mathbf{l}|^2$$

Effective area

In general, the aperture of an antenna is not directly related to its physical size.

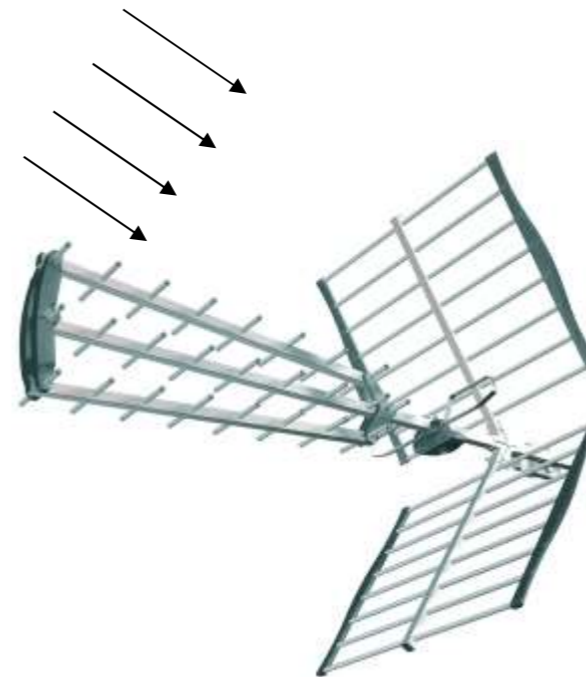
However some types of antennas, for example parabolic dishes and horns, have a physical aperture (opening) which collects the radio waves. In these aperture antennas, the physical aperture A_{phys}

Provides a good approximation of the effective area A .

In any case, the effective aperture A is always less than the area of the antenna's physical aperture A_{phys} .

Parameters of the Rx Antenna

- Rx effective length
- Equivalent circuit of the rx antenna
- Effective Area



Gain and Effective Area

Gain

$$G(\vartheta, \varphi) = \frac{\frac{1}{2} \frac{|\mathbf{E}|^2}{\zeta}}{\frac{1}{4\pi r^2} P_{in}}$$

$$P_{in} = \frac{1}{2} R_{in} |I|^2$$

$$\mathbf{E}(r, \vartheta, \varphi) = \frac{j\zeta l}{2\lambda} \frac{e^{-j\beta r}}{r} \mathbf{1}(\vartheta, \varphi)$$

Effective Area

$$A_{eff}(\vartheta, \varphi) = \frac{\zeta |\mathbf{1}(\vartheta, \varphi)|^2}{4R_{in}}$$

$$G(\vartheta, \varphi) = \frac{4\pi r^2}{2\zeta} \frac{|\mathbf{E}|^2}{P_{in}} = \frac{4\pi r^2}{2\zeta} \left(\frac{\zeta^2 |I|^2}{4\lambda^2} \frac{|\mathbf{1}(\vartheta, \varphi)|^2}{r^2} \right) \frac{2}{R_{in} |I|^2}$$

Gain and Effective Area

Gain

$$G(\vartheta, \varphi) = \frac{\frac{1}{2} \frac{|\mathbf{E}|^2}{\zeta}}{\frac{1}{4\pi r^2} P_{in}}$$

$$P_{in} = \frac{1}{2} R_{in} |I|^2$$

$$\mathbf{E}(r, \vartheta, \varphi) = \frac{j\zeta l}{2\lambda} \frac{e^{-j\beta r}}{r} \mathbf{I}(\vartheta, \varphi)$$

Effective Area

$$A_{eff}(\vartheta, \varphi) = \frac{\zeta |\mathbf{I}(\vartheta, \varphi)|^2}{4R_{in}}$$

$$G(\vartheta, \varphi) = \frac{4\pi r^2}{2\zeta} \frac{|\mathbf{E}|^2}{P_{in}} = \frac{4\pi \cancel{\lambda}^2}{\cancel{2\zeta}} \left(\frac{\cancel{\zeta} \cancel{|I|^2}}{4\lambda^2} \frac{|\mathbf{I}(\vartheta, \varphi)|^2}{\cancel{\lambda^2}} \right) \frac{\cancel{\lambda}}{R_{in} \cancel{\lambda}} = \frac{4\pi}{\lambda^2} \left[\frac{\zeta |\mathbf{I}(\vartheta, \varphi)|^2}{4R_{in}} \right]$$

Gain and Effective Area

Gain

$$G(\vartheta, \varphi) = \frac{\frac{1}{2} \frac{|\mathbf{E}|^2}{\zeta}}{\frac{1}{4\pi r^2} P_{in}}$$

$$P_{in} = \frac{1}{2} R_{in} |I|^2$$

$$\mathbf{E}(r, \vartheta, \varphi) = \frac{j\zeta l}{2\lambda} \frac{e^{-j\beta r}}{r} \mathbf{I}(\vartheta, \varphi)$$

Effective Area

$$A_{eff}(\vartheta, \varphi) = \frac{\zeta |\mathbf{I}(\vartheta, \varphi)|^2}{4R_{in}}$$

$$G(\vartheta, \varphi) = \frac{4\pi r^2}{2\zeta} \frac{|\mathbf{E}|^2}{P_{in}} = \frac{4\pi r^2}{2\zeta} \left(\frac{\zeta^2 |I|^2}{4\lambda^2} \frac{|\mathbf{I}(\vartheta, \varphi)|^2}{r^2} \right) \frac{2}{R_{in} |I|^2} = \frac{4\pi}{\lambda^2} \left[\frac{\zeta |\mathbf{I}(\vartheta, \varphi)|^2}{4R_{in}} \right]$$

$$G(\vartheta, \varphi) = \frac{4\pi}{\lambda^2} A_{eff}(\vartheta, \varphi)$$

Effective Area

three examples from the real life



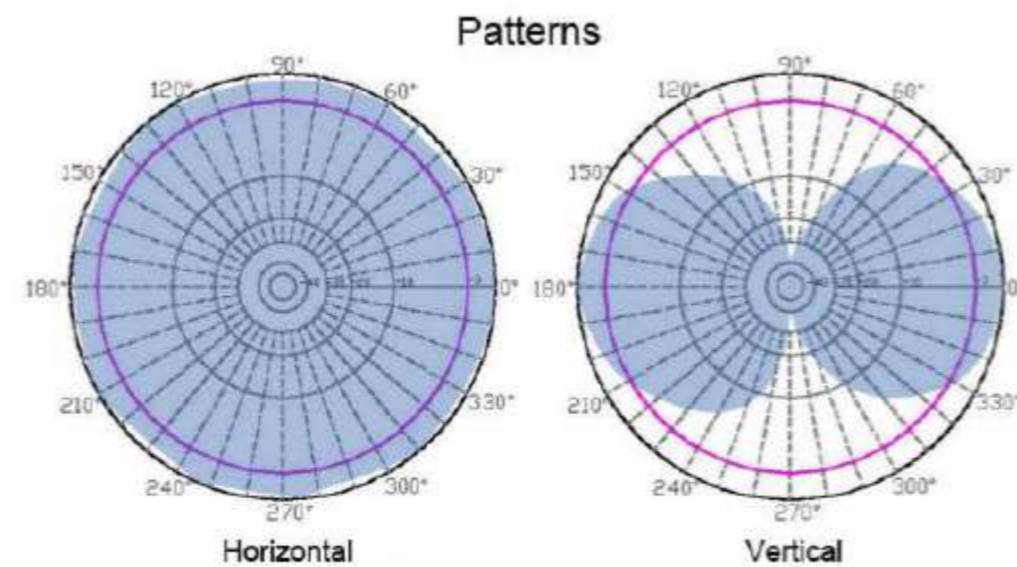
Effective Area

three examples from the real life



(maximum) Gain = 3 dB

$$G(\vartheta, \varphi) = \frac{4\pi}{\lambda^2} A_{eff}(\vartheta, \varphi)$$



ZDAEW1900-3 Patterns

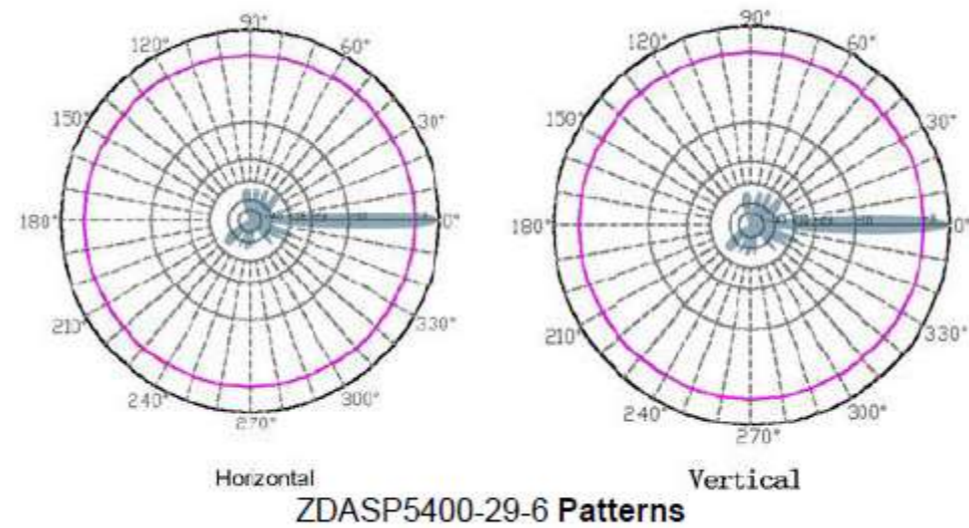
Effective Area

three examples from the real life



(maximum) Gain = 29 dB

$$G(\vartheta, \varphi) = \frac{4\pi}{\lambda^2} A_{eff}(\vartheta, \varphi)$$



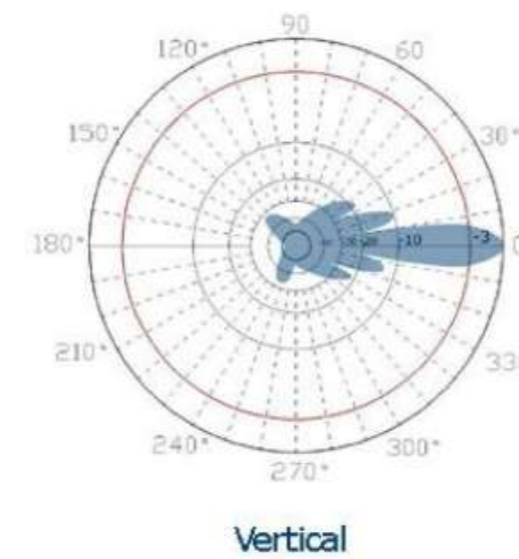
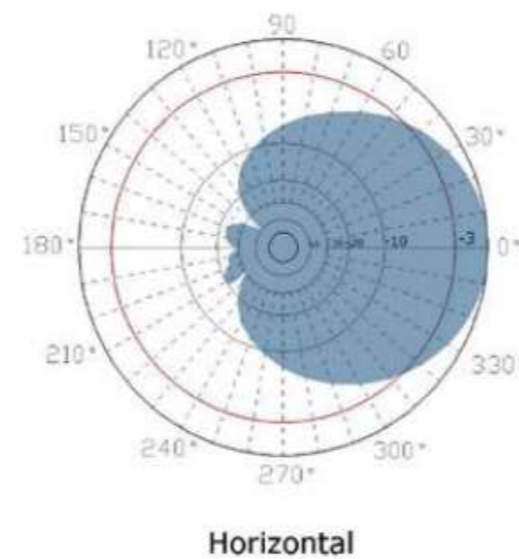
Effective Area

three examples from the real life



(maximum) Gain = 13 dB

$$G(\vartheta, \varphi) = \frac{4\pi}{\lambda^2} A_{eff}(\vartheta, \varphi)$$



ZDADJ800-13-90 Patterns

Equivalent circuit of the Rx antenna

$$P_L = \frac{1}{2} \frac{R_L}{|Z_{in} + Z_L|^2} |\mathbf{E}_i \cdot \mathbf{l}|^2 \qquad P_{Lmax} = \frac{1}{2} \frac{|\mathbf{E}_i|^2 |\mathbf{l}|^2}{4R_{in}}$$

Maximum power transfer to the load is achieved when the two following conditions are simultaneously verified:

1) Polarization matching

$$\Rightarrow |\mathbf{E}_i \cdot \mathbf{l}| = |\mathbf{E}_i| |\mathbf{l}|$$

2) Power matching

$$\Rightarrow \frac{R_L}{|Z_{in} + Z_L|^2} = \frac{1}{4R_{in}}$$

$$P_{Lmax} = \frac{1}{2} \frac{|\mathbf{E}_i|^2}{\zeta} A_{eff}(\vartheta, \varphi)$$

Equivalent circuit of the Rx antenna

$$P_L = \frac{1}{2} \frac{R_L}{|Z_{in} + Z_L|^2} |\mathbf{E}_i \cdot \mathbf{l}|^2$$

$$P_{Lmax} = \frac{1}{2} \frac{|\mathbf{E}_i|^2 |\mathbf{l}|^2}{4R_{in}}$$

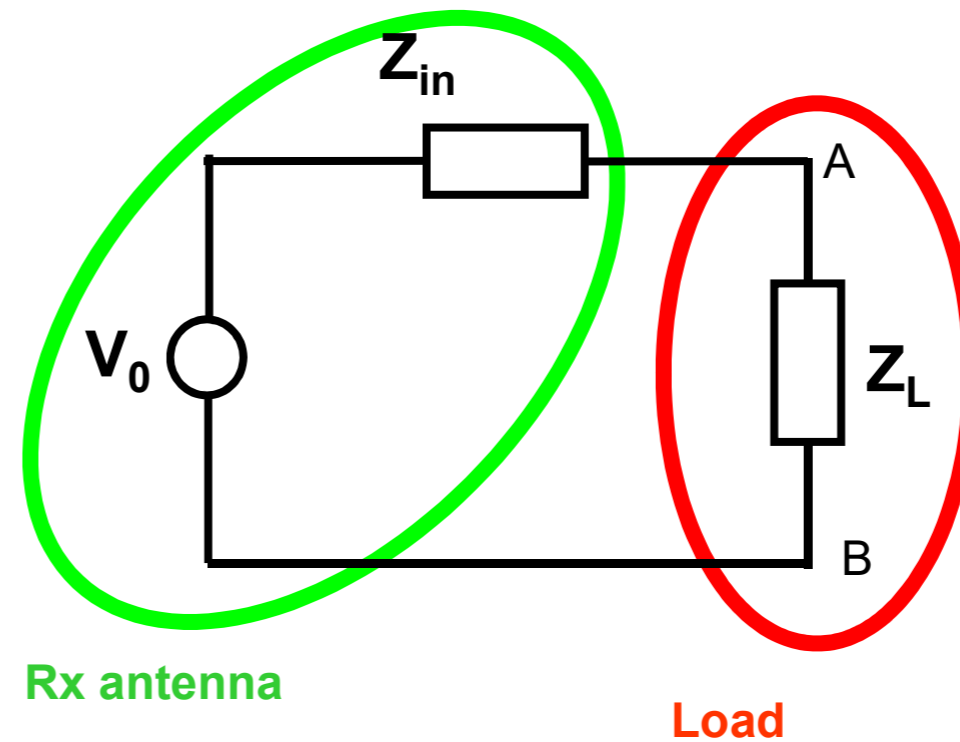
$$P_L = \frac{1}{2} \frac{R_L}{|Z_{in} + Z_L|^2} |\mathbf{E}_i \cdot \mathbf{l}|^2 = \underbrace{\frac{1}{2} \frac{|\mathbf{E}_i|^2 |\mathbf{l}|^2}{4R_{in}}}_{P_{Lmax}} \underbrace{\frac{|\mathbf{E}_i \cdot \mathbf{l}|^2}{|\mathbf{E}_i|^2 |\mathbf{l}|^2}}_{\eta_A} \underbrace{\frac{4R_{in} R_L}{|Z_{in} + Z_L|^2}}_{\eta_B}$$

$$P_L = \eta_A \eta_B P_{Lmax}$$

Equivalent circuit of the Rx antenna

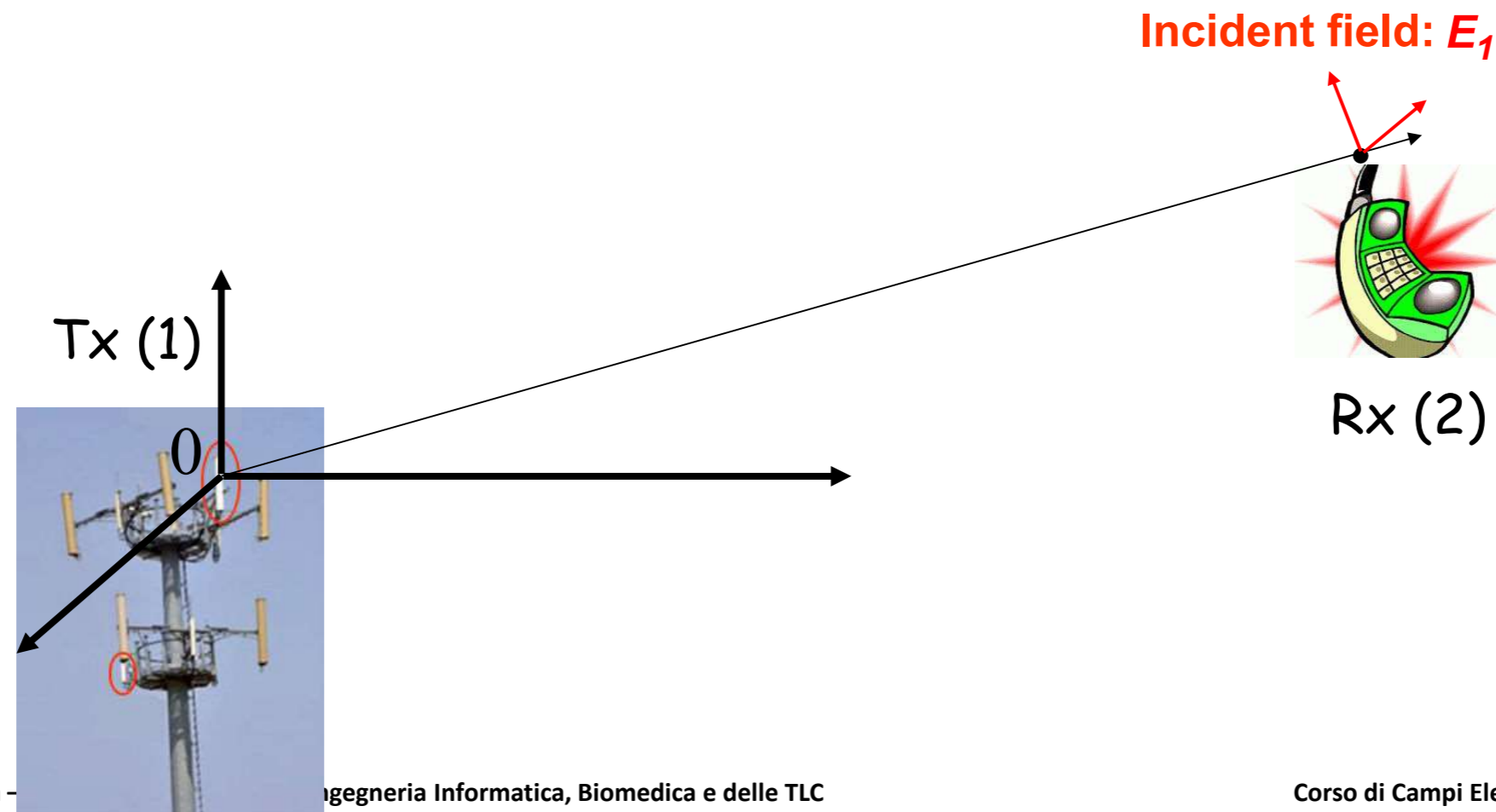
$$P_L = \eta_A \eta_B P_{Lmax}$$

$$P_{Lmax} = \frac{1}{2} \frac{|\mathbf{E}_i|^2}{\zeta} A_{eff}(\vartheta, \varphi)$$



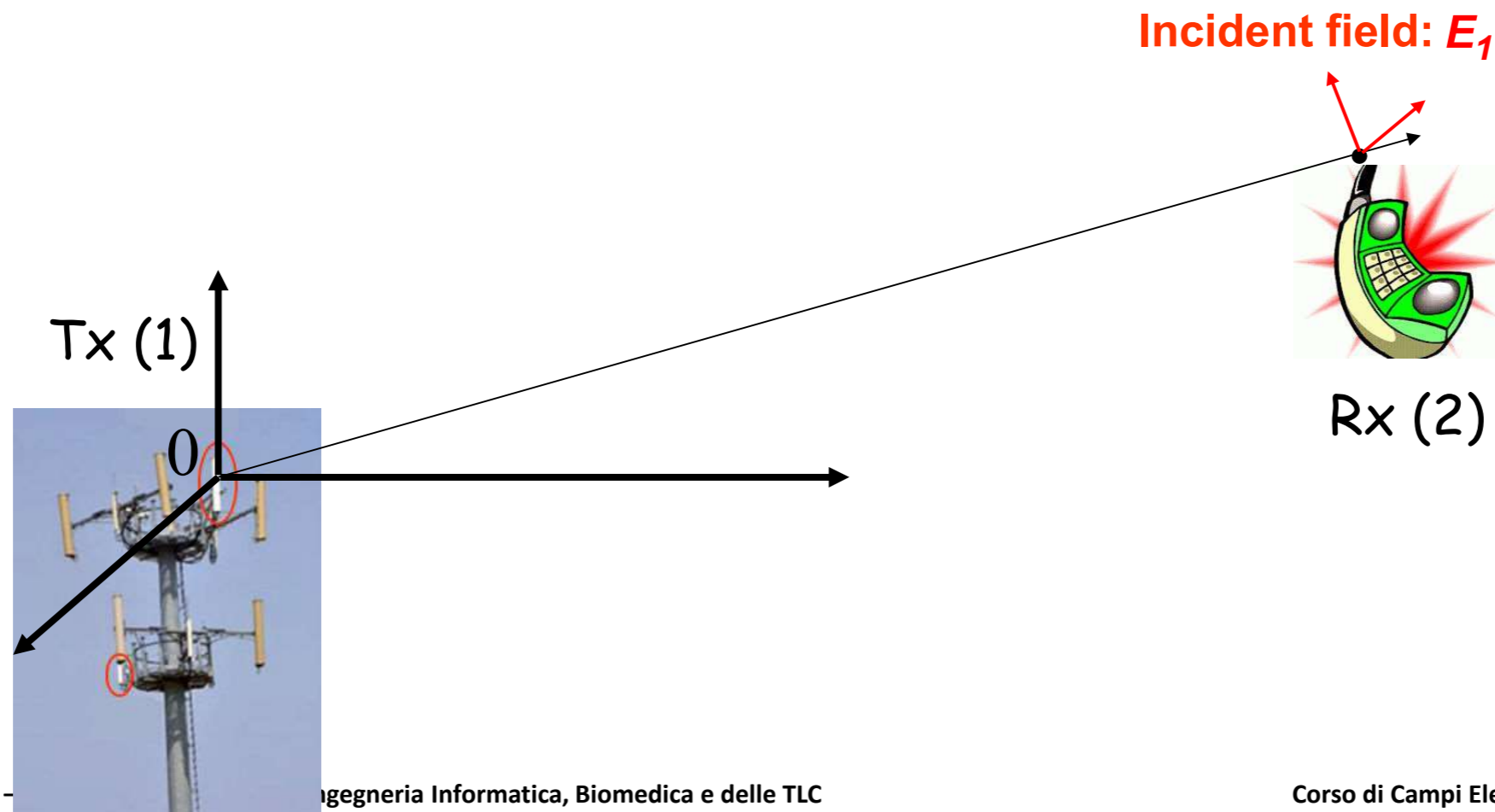
$$P_L = \frac{1}{2} \frac{|\mathbf{E}_i|^2}{\zeta} A_{eff}(\vartheta, \varphi) \eta_A \eta_B$$

Radio link equation



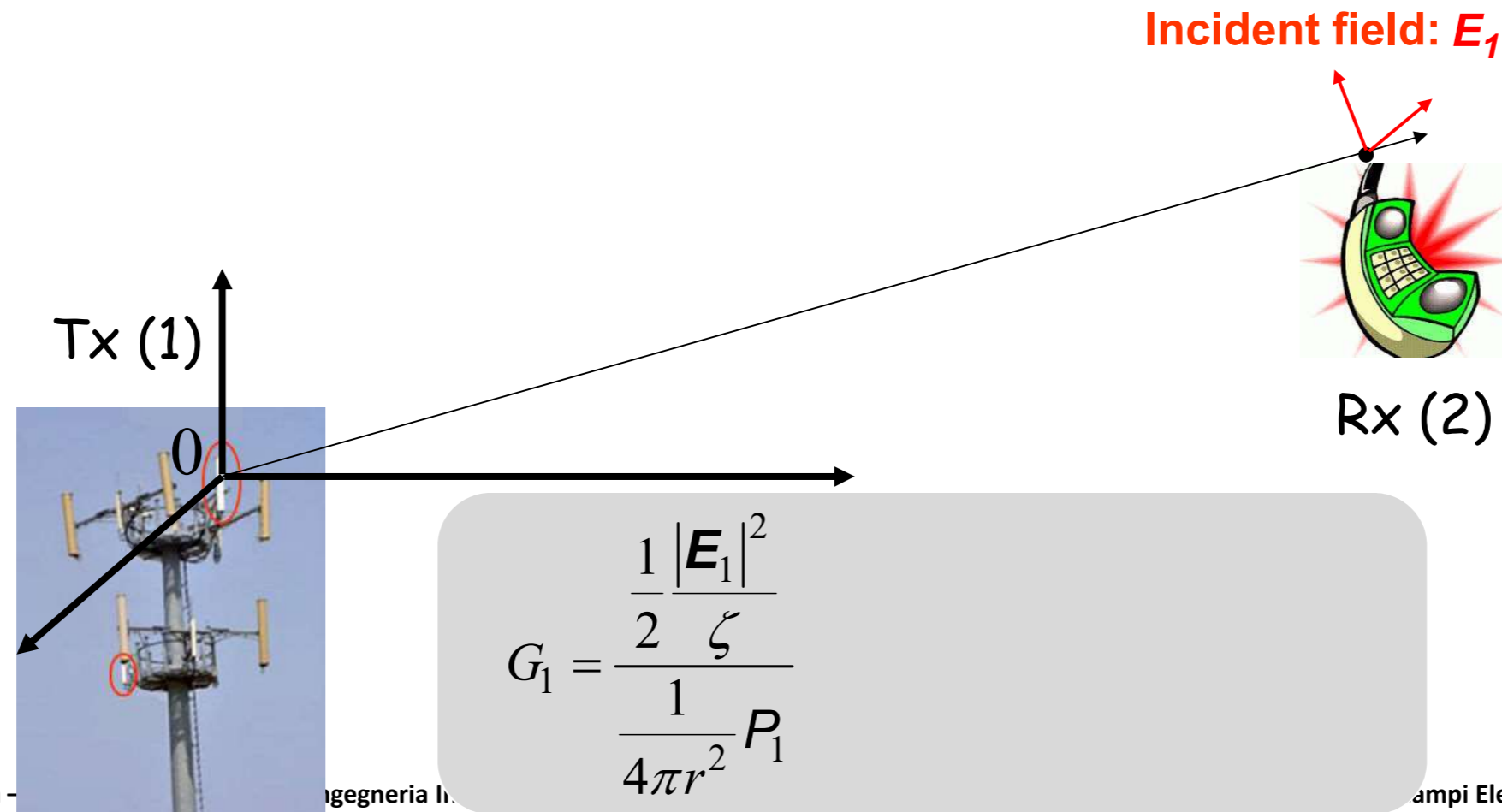
Radio link equation

$$P_2 = \frac{1}{2} \frac{|\mathbf{E}_1|^2}{\zeta} A_{eff} \eta_A \eta_B$$



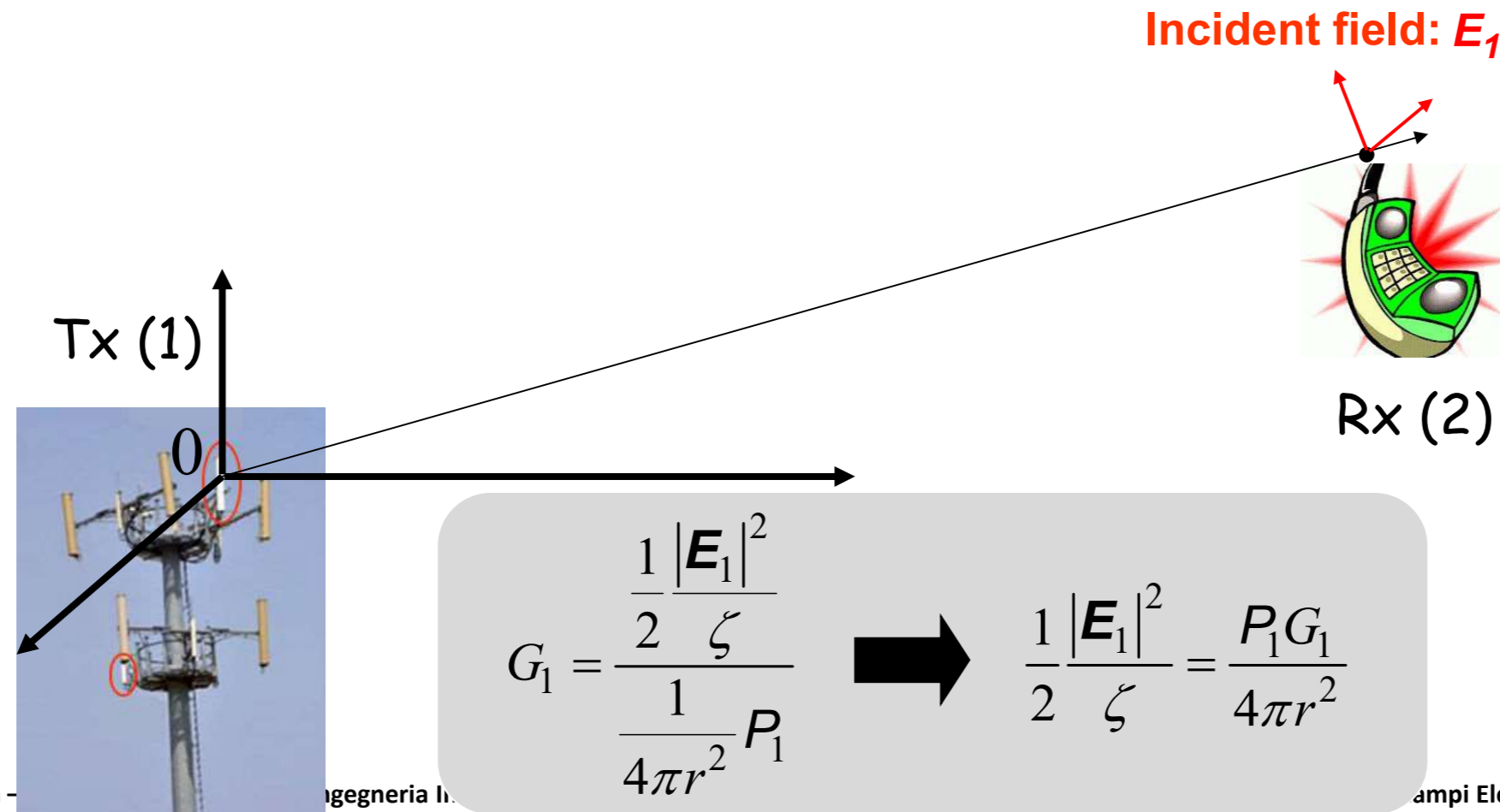
Radio link equation

$$P_2 = \frac{1}{2} \frac{|\mathbf{E}_1|^2}{\zeta} A_{eff} \eta_A \eta_B$$



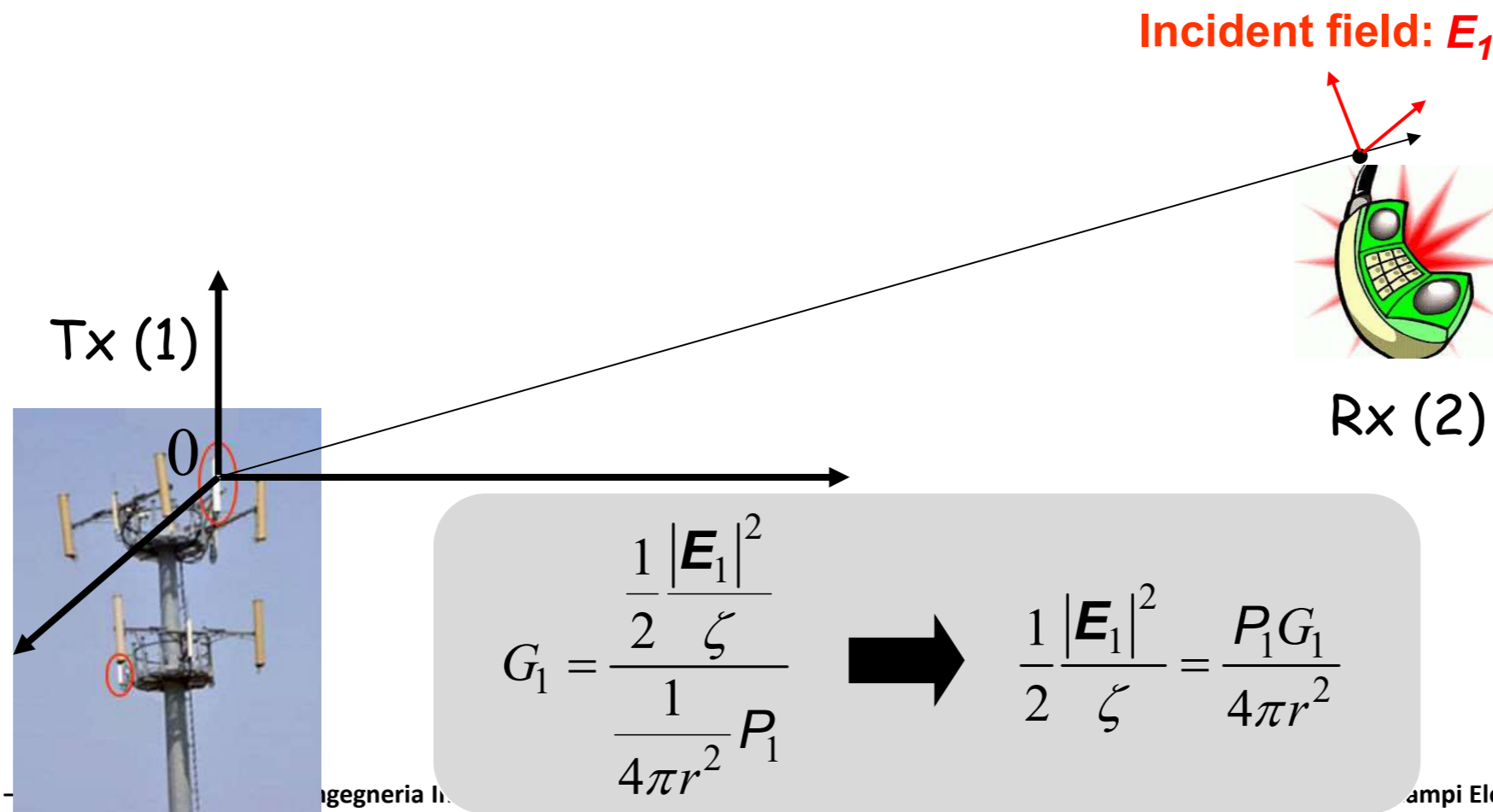
Radio link equation

$$P_2 = \frac{1}{2} \frac{|\mathbf{E}_1|^2}{\zeta} A_{eff} \eta_A \eta_B$$



Radio link equation

$$P_2 = \frac{1}{2} \frac{|\mathbf{E}_1|^2}{\zeta} A_{eff2} \eta_A \eta_B = P_1 G_1 A_{eff2} \left(\frac{1}{4\pi r^2} \right) \eta_A \eta_B$$

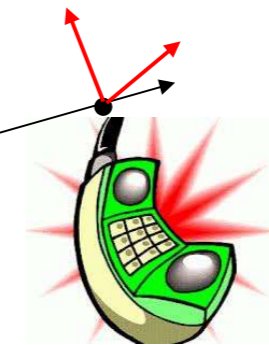


Radio link equation

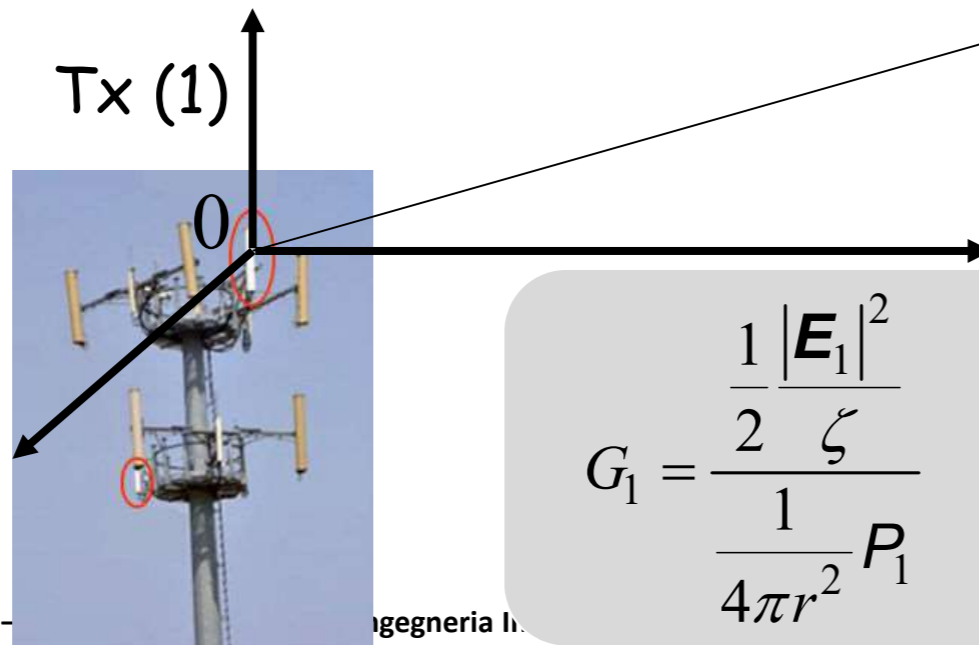
$$P_2 = \frac{1}{2} \frac{|\mathbf{E}_1|^2}{\zeta} A_{eff2} \eta_A \eta_B = P_1 G_1 A_{eff2} \left(\frac{1}{4\pi r^2} \right) \eta_A \eta_B$$

$$P_2 = P_1 G_1 A_{eff2} \left(\frac{1}{4\pi r^2} \right) \eta_A \eta_B$$

Incident field: \mathbf{E}_1



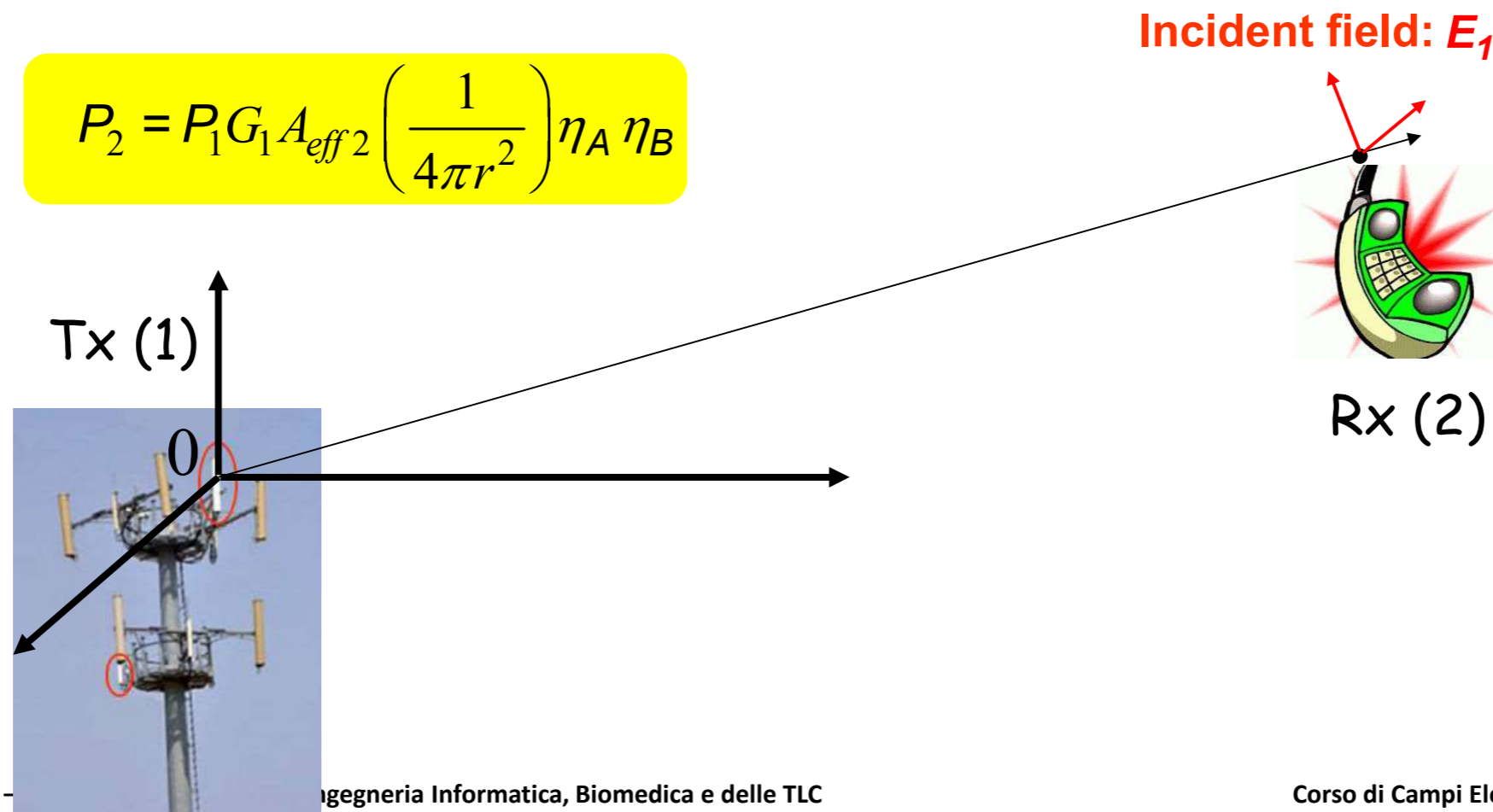
Rx (2)



$$G_1 = \frac{\frac{1}{2} \frac{|\mathbf{E}_1|^2}{\zeta}}{\frac{1}{4\pi r^2} P_1} \quad \longrightarrow \quad \frac{1}{2} \frac{|\mathbf{E}_1|^2}{\zeta} = \frac{P_1 G_1}{4\pi r^2}$$

Radio link equation (Friis equation)

$$P_2 = P_1 G_1 A_{eff2} \left(\frac{1}{4\pi r^2} \right) \eta_A \eta_B$$



Radio link equation



(maximum) Gain = 29 dB

$$G(\vartheta, \varphi) = \frac{4\pi}{\lambda^2} A_{eff}(\vartheta, \varphi)$$

